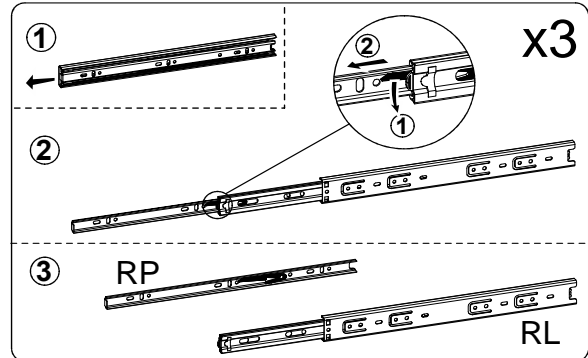


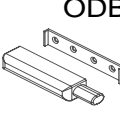
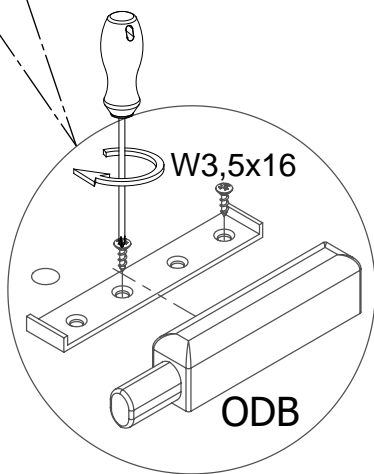
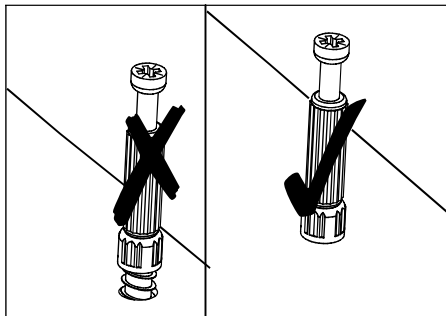
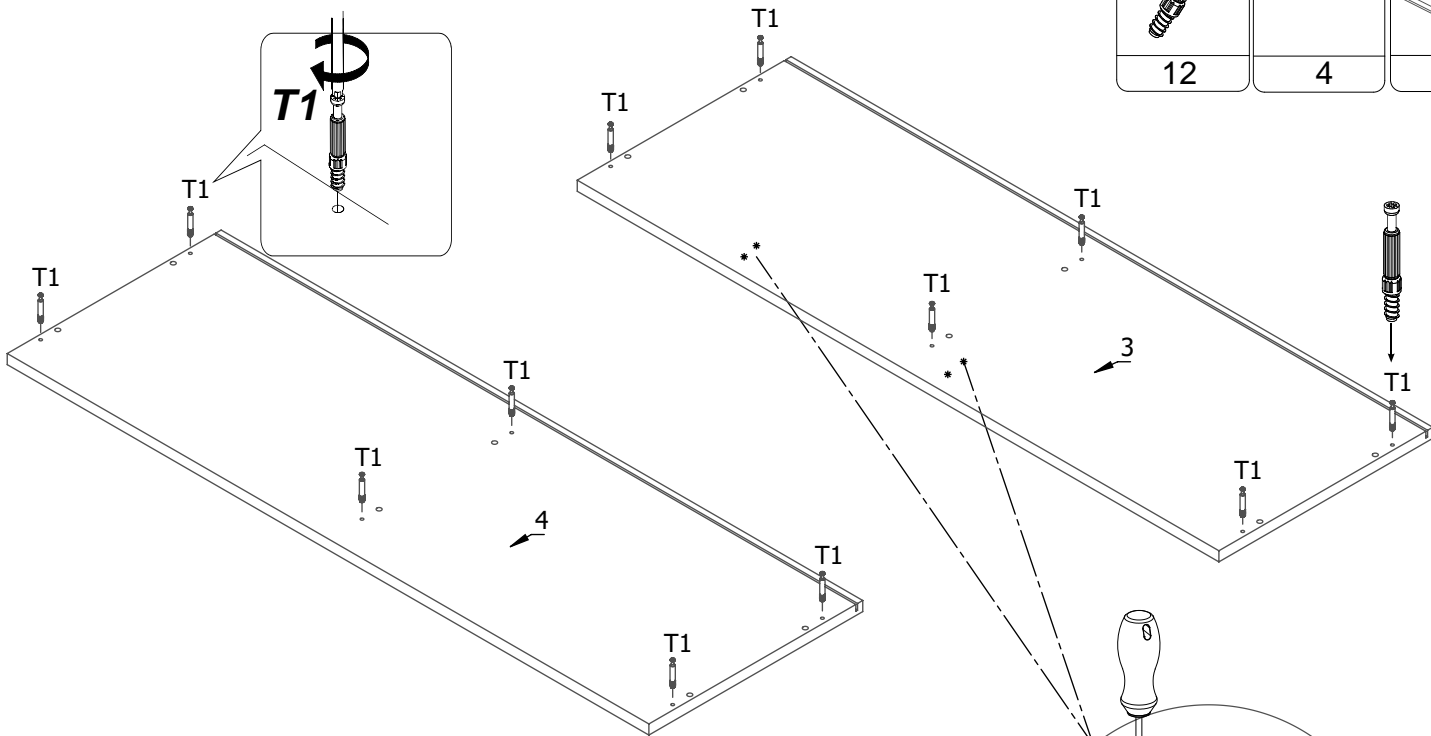



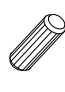



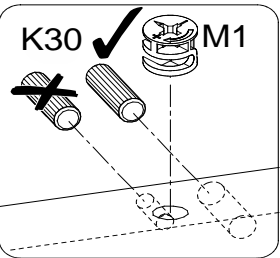
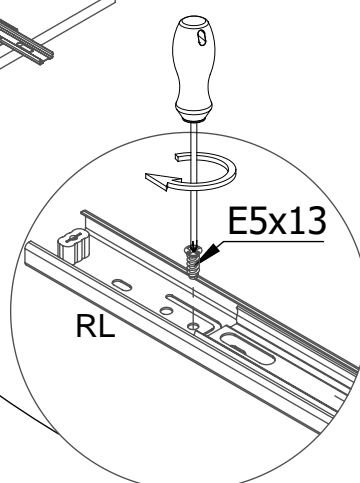
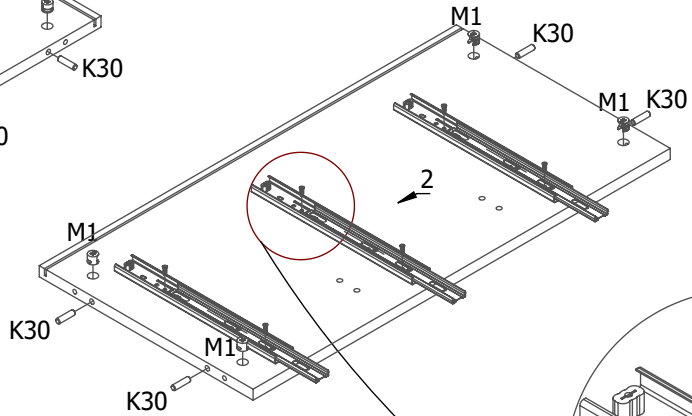
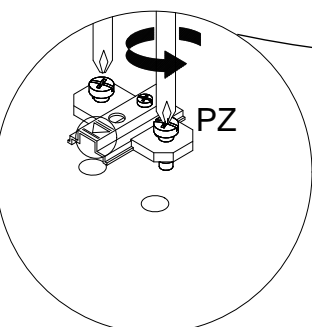
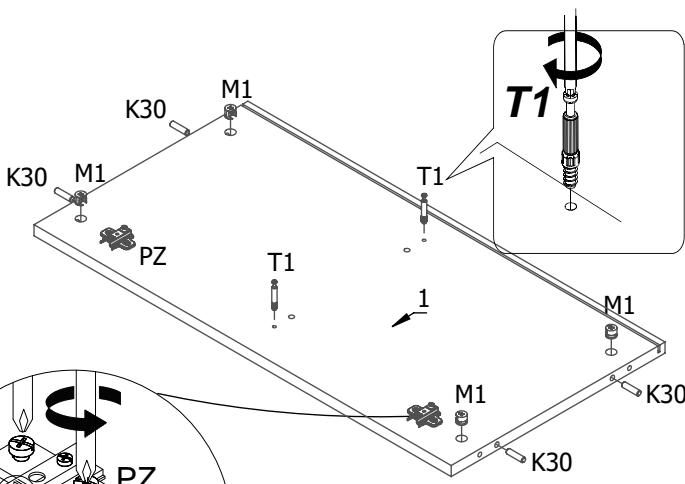
K30 38	T1 28	M1 28	ZP 2	PZ 2
STB 8	KF50 6	W4x16 4	Z1 28	H120 5
F2 15	Q 1	E5x13 24	ODB 4	W3,5x16 8









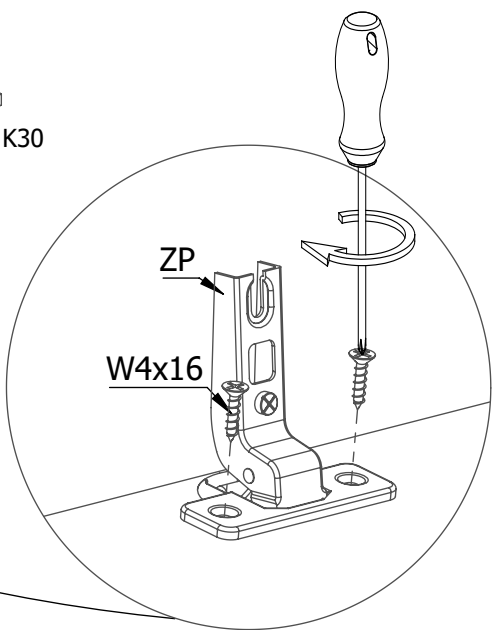
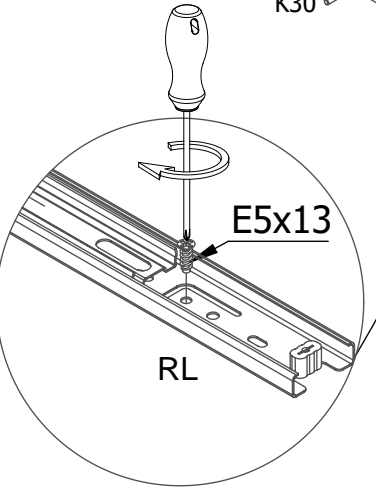
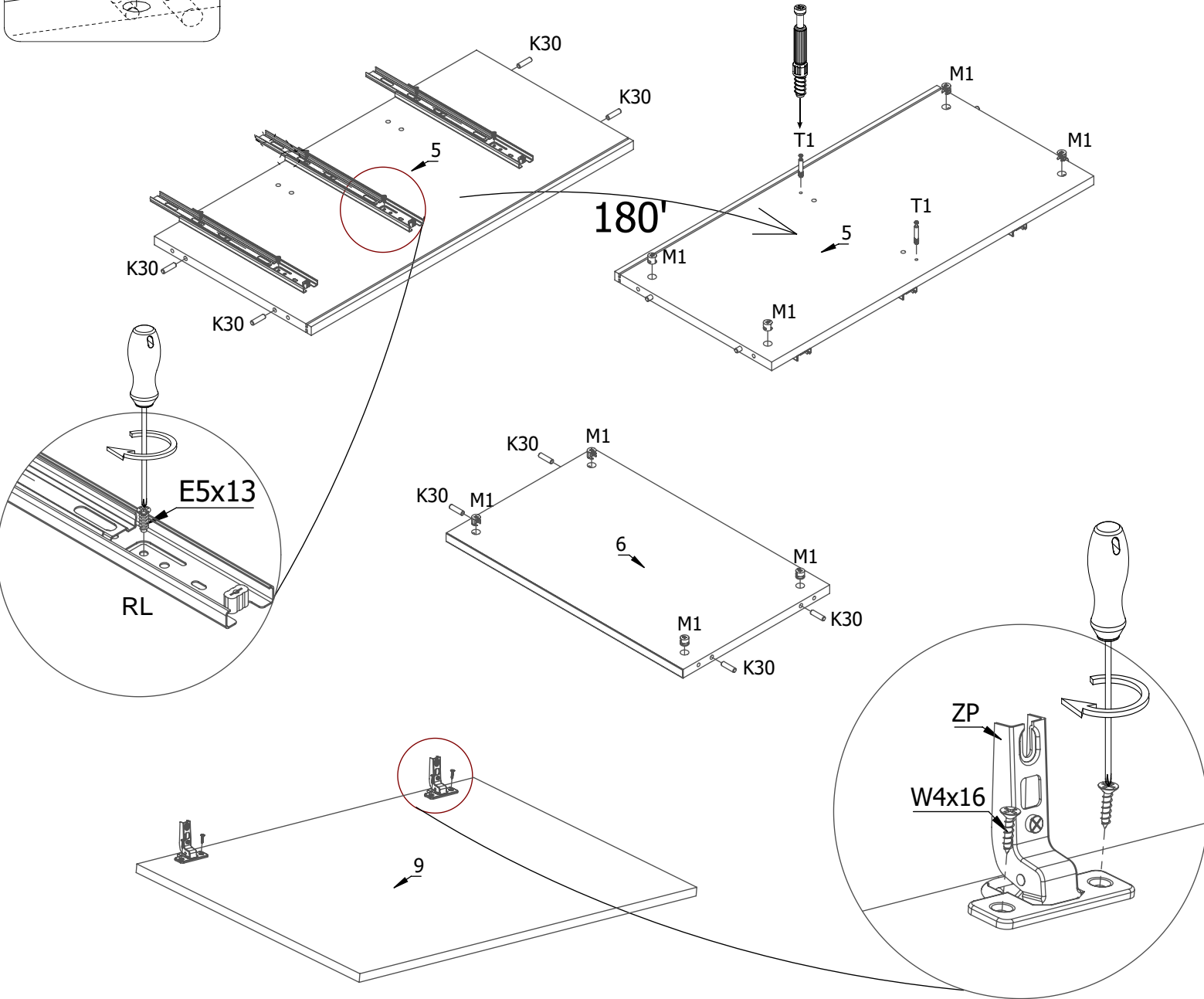
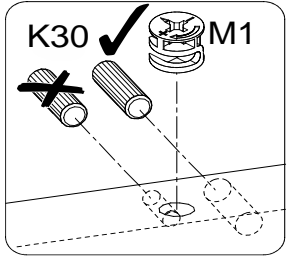
T1 	W3,5x16 	ODB 
12	4	2

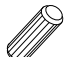

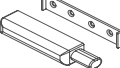


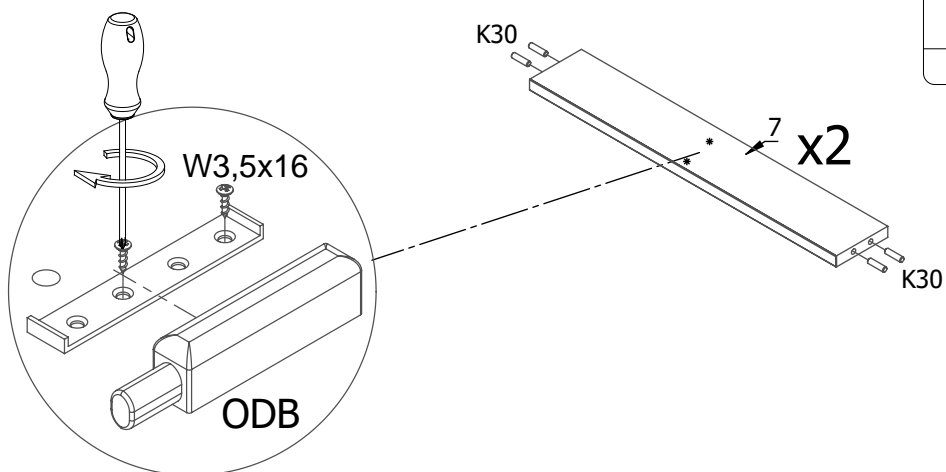
T1 	PZ 	M1 	K30 	E5x13 
2	2	8	8	6







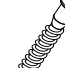


W4x16 	T1 	ZP 	M1 	K30 	E5x13 
4	2	2	8	8	6



K30 	W3,5x16 	ODB 
8	4	2



K30  12	M1  12	T1  12	E5x13  12	 RP 6	Q  1	KF50  6
--	---	---	--	---	---	--

